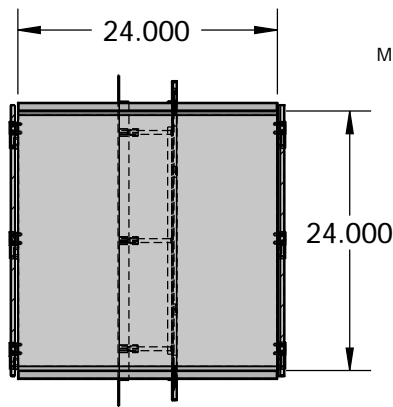
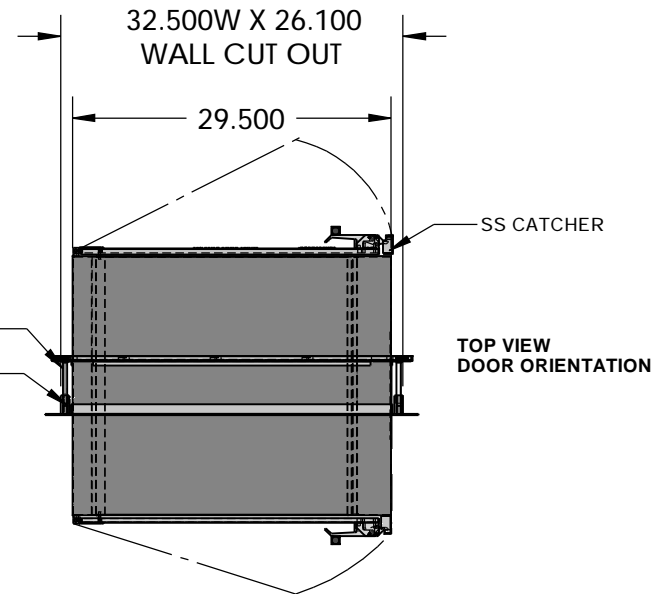
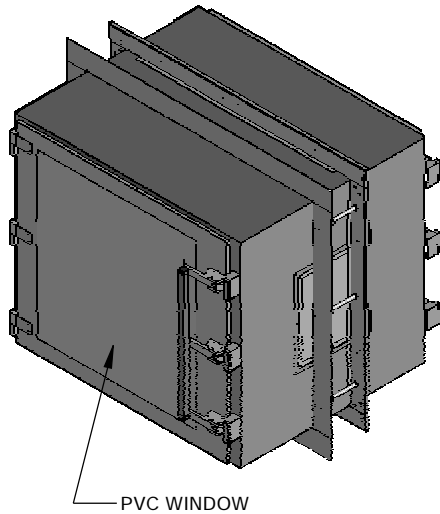
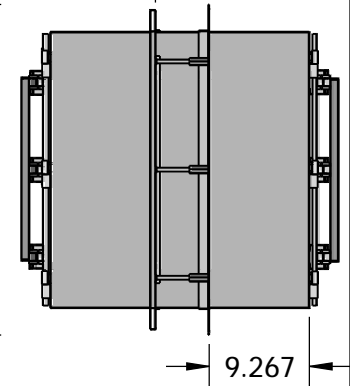
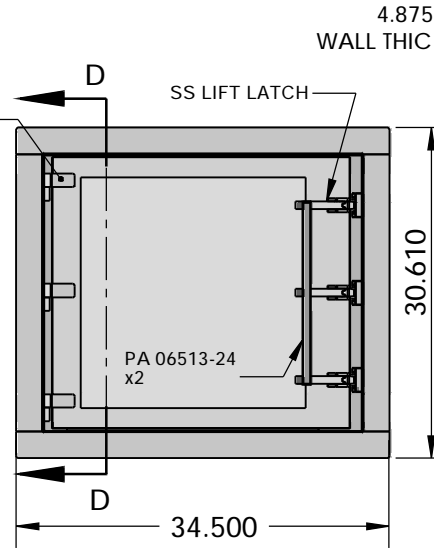
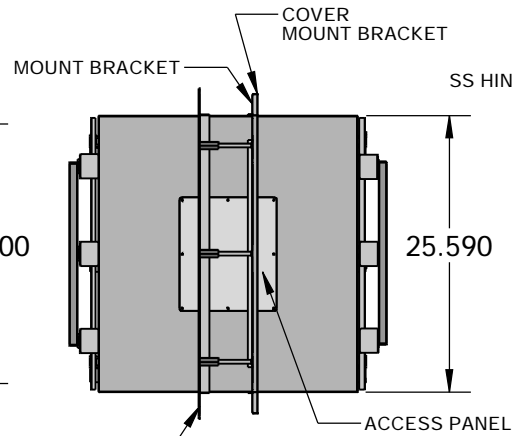



ALL SHOP



SECTION D-D
SCALE 1 : 16



REVISIONS				MATERIAL SPEC.	FINISH SPEC.	UNLESS OTHERWISE SPECIFIED, DIMENSIONS ARE IN INCHES	 <small>Proprietary & Confidential All rights reserved by TERRA UNIVERSAL Disclosure or Copying Prohibited</small>	TITLE
RV#	DESCRIPTION	DATE	BY	316L SS		TOLERANCES ON:		PASS-THROUGH; 316 SS CLEANSEAM, 24"Wx24DX24H ISOLATED INTERLOCK CENTER MOUNT
NC	INITIAL RELEASE	3-5-19	JR					
○						.XXX DECIMALS ± .010 X/X ± 1/64		
						SIGNATURES	DATE	
						ISSUED BY: JUAN R	3-5-19	
						REF #:		