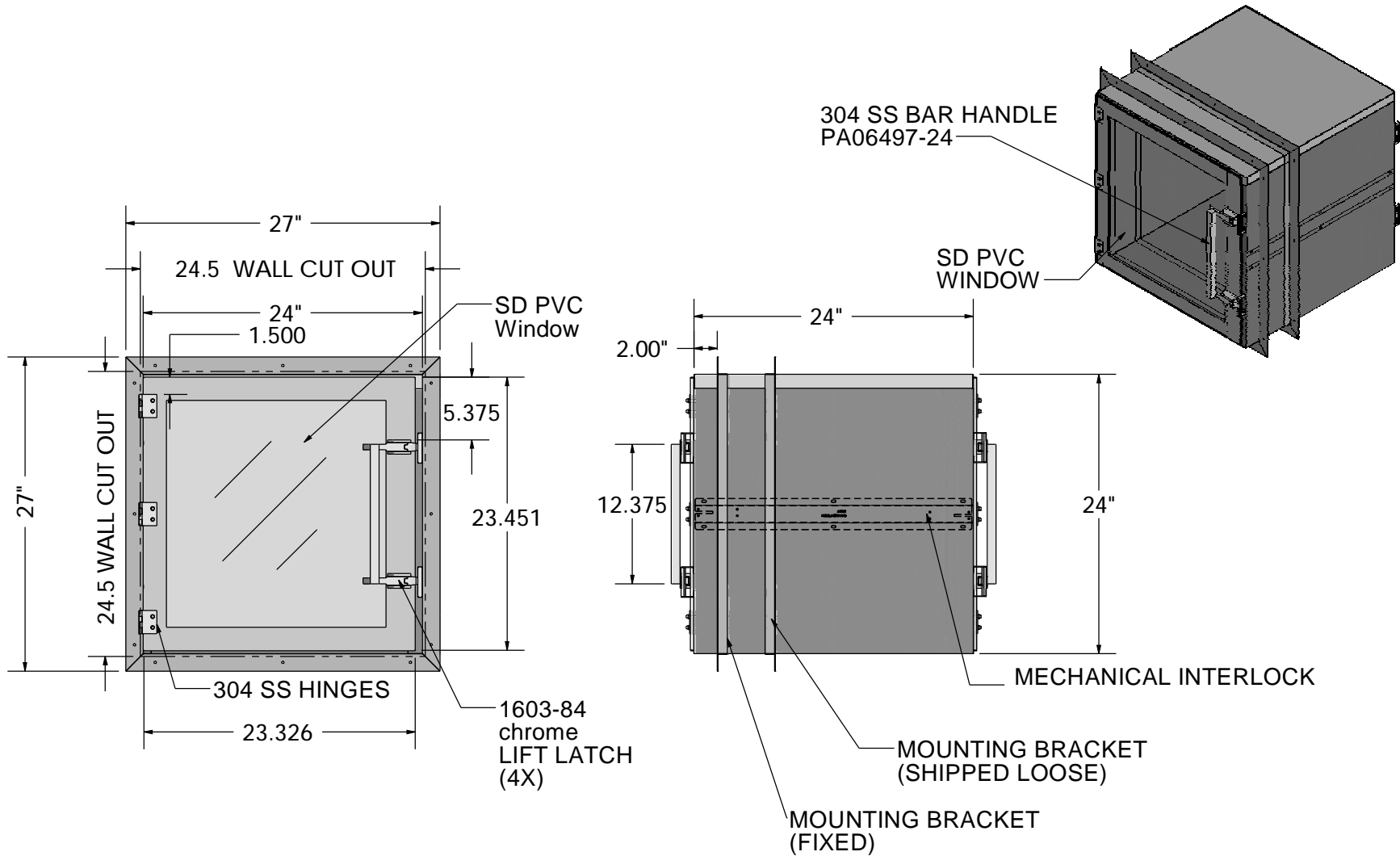
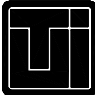


ALL SHOPS



REVISIONS				MATERIAL SPEC.	FINISH SPEC.	UNLESS OTHERWISE SPECIFIED, DIMENSIONS ARE IN INCHES		 Terra Universal <small>Proprietary & Confidential All rights reserved by TERRA UNIVERSAL Disclosure or Copying Prohibited</small>	TITLE		
RV#	DESCRIPTION	DATE	BY			TOLERANCES ON:			PASS-THROUGH CHAMBER SS, WALL MOUNTS 24"W x 24"D x 24"H		
NC	INITIAL RELEASE	12-22-17	JR	304 SS		.XX DECIMALS ±.03	X' ± 1"	A 1992-14D	SC ALE	SHEET 1 OF 9	
○						.XXX DECIMALS ±.010	X/X ±1/64				
						SIGNATURES					DATE
						ISSUED BY: JUAN R	12-22-17				
				REF #:							